



NECO Single-Phase and Three-Phase 60-Hz Electric Motors

								Full Load	Baldor Motors	Lesson Motors		
hp	kW	Phase	Voltage	RPM	Shaft Diameter inch cm		Frame	Amp 230 Volt	NECO Part Number	Net Price	NECO Part Number	Net Price
1/2	0.37	1	115/208-230	1725	5/8	1.59	D56	4.4	FDL3504M	\$125	110086	\$154
3/4	0.56	1	115/208-230	1725	5/8	1.59	E56	5.4	FDL3507M	\$151	110087	\$146
1	0.75	1	115/208-230	1725	5/8	1.59	F56	7	FDL3510M	\$171	110088	\$154
1 1/2	1.12	1	115/230	1725	5/8	1.59	H56H	8.6	FLD3514M	\$205	110089	\$197
2	1.49	1	230	1725	7/8	2.22	J56H2	9.2	FDL3516TM	\$235	110090	\$225
2	1.49	1	115/208-230	1740	1 1/8	2.86	E182T	12.4	FDL3611TM	\$304	130042	\$287
3	2.24	1	230	1740	1 1/8	2.86	G184T	19	FDL3610TM	\$346	130043	\$315
5	3.73	1	230	1740	1 1/8	2.86	J184T	23	FDL3612TM	\$423	130044	\$426
5	3.73	1	230	1740	1 3/8	3.49	K215T	28.4	FDL3731M	\$515	140203	\$487
7 1/2	5.59	1	230	1740	1 3/8	3.49	K215T	33.6	FDL3733TM	\$561	140130	\$613
10	7.47	1	230	1740	1 3/8	3.49	K215T	40	FDL3737TM	\$667	140414	\$754
1/2	0.37	3	208-230/460	1725	5/8	1.59	56	2	M3538	\$112	110032	\$150
3/4	0.56	3	208-230/460	1725	5/8	1.59	56	2.8	M3542	\$124	110034	\$151
1	0.75	3	208-230/460	1725	5/8	1.59	56	3.4	M3546	\$128	110035	\$158
1 1/2	1.12	3	208-230/460	1725	5/8	1.59	56	4.6	M3554	\$147	110444	\$177
2	1.49	3	208-230/460	1740	7/8	2.22	145T	6.2	M3558T	\$179	120016	\$188
3	2.24	3	208-230/460	1740	1 1/8	2.86	182T	8.8	M3611T	\$197	130008	\$222
5	3.73	3	208-230/460	1740	1 1/8	2.86	184T	13.4	M3615T	\$204	130027	\$209
7 1/2	5.59	3	208-230/460	1750	1 3/8	3.49	213T	18.4	M3770T	\$357	150157	\$347
10	7.47	3	208-230/460	1750	1 3/8	3.49	215T	24	M3774T	\$449	150140	\$445
15	11.19	3	208-230/460	1750	1 5/8	4.13	254T	37	M2333T	\$639	150066	\$644
20	14.91	3	208-230/460	1750	1 5/8	4.13	256T	48	M2334T	\$672	150007	\$811
25	18.64	3	208-230/460	1750	1 7/8	4.76	284T	62	M4103T	\$759	150011	\$989
30	22.37	3	208-230/460	1750	1 7/8	4.76	286T	74	M4104T	\$999	150015	\$1,143
40	29.83	3	208-230/460	1750	2 1/8	5.40	324T	94	M4110T	\$1,332	150019	\$1,511
50	37.28	3	208-230/460	1750	2 1/8	5.40	326T	116	M4115T	\$1,409	150023	\$1,841
60	44.74	3	208-230/460	1750	2 3/8	6.03	364T	142	M4314T	\$2,160	150027	\$2,784

NOTE: All motor warranty service is to be done by an authorized Baldor or Lesson service center. Motors cannot be returned to NECO for warranty repair or replacement. A list of authorized service centers will be supplied upon request.

Manufactured by



Division of GLOBAL Industries, Inc.
9364 North 45th Street
Omaha, Nebraska 68112
TEL; 800-367-6208
FAX: 402-453-0471
Web: www.necousa.com



Motor Pulleys

List Prices

Outside Diameter (OD)		Number of Grooves	Bore Size		Belt Section	Part Number	List Price	Weight	
inches	cm		inches	cm				lb	kg
2.8"	81.28	1	7/8"	2.222	A	036212	\$35	1	0
2.8"	81.28	1	1 1/8"	2.857	A	036581	\$35	1	0
3.2"	96.52	1	5/8"	1.587	A-B	036580	\$48	1.5	1
3.2"	96.52	1	7/8"	2.222	B	035730	\$36	1.5	1
3.2"	96.52	1	1 1/8"	2.857	B	035732	\$36	1.5	1
3.2"	96.52	2	1 1/8"	2.857	A-B	035733	\$59	2	1
3.2"	96.52	2	1 3/8"	3.492	B	035735	\$59	2	1
3.2"	96.52	3	1 1/8"	2.857	B	035734	\$77	2.5	1
3.2"	96.52	3	1 3/8"	3.492	A-B	035736	\$77	2.5	1
4.0"	121.9	1	7/8"	2.222	B	036170	\$46	2.5	1
4.0"	121.9	1	1 1/8"	2.857	B	035738	\$46	2.5	1
4.0"	121.9	2	1 1/8"	2.857	A-B	035739	\$89	3.5	2
4.0"	121.9	2	1 3/8"	3.492	B	035741	\$89	3.5	2
4.0"	121.9	3	1 3/8"	3.492	B	035274	\$99	5	2
4.0"	121.9	3	1 5/8"	4.127	B	036785	\$99	5	2
5.0"	152.4	1	1 1/8"	2.857	B	035746	\$54	3	1
5.0"	152.4	2	1 1/8"	2.857	B	035747	\$94	4.5	2
5.0"	152.4	2	1 3/8"	3.492	A-B	035748	\$94	4.5	2
5.0"	152.4	2	1 5/8"	4.127	A-B	035901	\$94	4.5	2
6.0"	182.9	1	7/8"	2.222	A-B	036122	\$57	4	2

Manufactured by

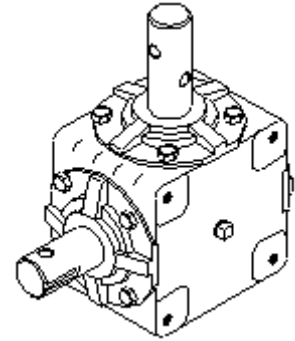


Division of GLOBAL Industries, Inc.
9364 North 45th Street
Omaha, Nebraska 68112
TEL; 800-367-6208
FAX: 402-453-0471
Web: www.necousa.com



MADE IN THE U.S.A.

Two-Year Limited Gearbox Warranty*



**NECO is proud to offer you our top-quality,
USA-manufactured gearboxes—backed by a
limited two-year warranty!**

NECO Gearboxes purchased either with new equipment or as a replacement part and installed after January 1, 2002, will be covered by terms of this limited warranty.

NECO will replace or recondition, at our discretion, any gearbox found to be defective during the first two years after installation.

NECO Gearbox Warranty Terms

- All gearboxes must be accompanied by a Return Goods Authority (RGA) issued by NECO stating the reason why the gearbox is being returned.
- To obtain an RGA you must provide an original invoice number or original NECO order number.
- You must return the original gearbox to NECO's factory in Omaha, freight prepaid.
- The replacement gearbox or repaired gearbox will be returned to you promptly, freight prepaid.
- Under no circumstances is NECO responsible for any labor costs incurred for the removal of a gearbox, nor for its subsequent reinstallation, nor for any mileage, time, or expense incurred during the process of removal and/or reinstallation.
- NECO will not warranty gearboxes found to have been abused in use, installation, or maintenance.

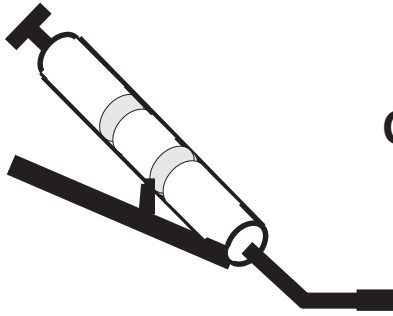
*See the list of included models on the following page.



Replacement Gearboxes

NECO Replacement Gearboxes are New (not Rebuilt)
and include a two-Year Warranty (see the previous page).

Description	Old Part Number	New Part Number	List Price	Weight lb kg	
Pair of Center Gearboxes for Circu-Flow with Coupler sprocket on Bottom Gearbox, Support Wheel on Top Gearbox, and Spline Connector for Center Vertical Auger	CF60	010682	\$2,097	90	41
Circu-Flow Top Gearbox Only with Support Wheel	--	010769	\$1,474	55	25
Circu-Flow Bottom Gearbox Only	--	010774	\$623	35	16
Pair of Old-Style Center Gearboxes for Super-Flow without Slinger — with Coupler Sprocket on Bottom Gearbox and Support Wheel on Top Gearbox	SF60	011137	\$2,041	100	45 0
Pair of New Style Center Gearboxes for Super-Flow with Slinger — with Coupler Sprocket on Bottom Gearbox and Support Wheel on Top Gearbox NOTE: This item cannot be interchanged with a gearbox without slinger	SF100	011132	\$2,180	100	45 0 0
Pair of New Style Gearboxes for Twin Sweep Super-Flow with Slinger , Coupler Sprocket, and Support Wheel	--	011259	\$2,309	105	48 0
Pair of Center Gearboxes for 8" Dual-Sweep Circu-Flow — with Coupler Sprocket on Bottom Gearbox and Support Wheel on Top Gearbox	8DS60	012194	\$2,589	134	61 0
Dual- Sweep Circu-Flow Top Gearbox Only with Support Wheel	--	012216	\$1,657	82	37
Dual-Sweep Circu-Flow Bottom Gearbox Only	--	012217	\$932	53	24
Gearbox for 6" Circu-Flow Outside Vertical Unloading Auger	Repl. B30	020245	\$368	22	10
Gearbox for Commercial-Flow with Coupler Sprocket on Bottom Gearbox and Flow Control Cone Support on Top Gearbox	CMF60	013136	\$3,697	205	93 0
INTEGRALS AND MODULAR POWER SWEEP GEARBOXES					0
6" Modular power Sweep Center Gearboxes with Internal Shifter	--	014868	\$909	65	29
8" Modular power Sweep Center Gearboxes with Internal Shifter	--	014761	\$916	65	29
10" Modular power Sweep Center Gearboxes with Internal Shifter	--	046115	\$1,064	76	34
8" Heavy-duty Modular power Sweep Center Gearboxes (54' and 60' bins)	--	014947	\$1,064	76	34
Double Gearboxes for Integral Center Hopper (6" and 8" for bins 15' to 35')	C8 or C95	014448	\$882	44	20
Double Gearboxes for Integral Center Hopper (Model 80 for bins 36' and up)	C99	014404	\$843	60	27
Gearbox for Outside Vertical on 6" #3 and #4 (replaces B30)	Repl. B30	020245	\$368	22	10
Gearbox for Outside Vertical on 8" #3 and #4 (replaces B121)	B124	047183	\$759	52	24
Double Geabox for 8"/10" Industrial Integral Center Hopper	Z37	015254	\$1,743	106	48
PYTHON TRANSPORTS					0
6" Python Electric Gearbox	6GB45E	020114	\$847	53	24
8" Python Electric Gearbox	8GB45E	020116	\$871	53	24
6" Python PTO Gearbox	6GB45P	020115	\$851	53	24
8" Python PTO Gearbox	8GB45P	020116	\$871	53	24
10" Python PTO Gearbox	A10GB45	020255	\$1,712	70	32
Gearbox for 8206E or 8206P (replaces B121 & B123)	B124	047183	\$759	52	24
Gearbox for 6" & 8" Single Drive Vertical Unloading Augers	B124	047183	\$759	52	24
REDUCERS with Oil					0
NECO Model #741 Reducer thru 7½ hp (5.59 kW) With Oil	--	020136	\$731	31	14
NECO Model #3051 Reducer 10 thru 30 hp (7.46 thru 22.37 kW) With Oil	--	020155	\$1,517	150	68



Quality Lubrication Products

Keep Your NECO equipment running smoothly with quality-approved lubricants.



Lubricant Products

Lubricant Type	Container Type	Used on...	Part Number	Net Price	Weight	
					lb	kg
Gun Grease with Moly	14-oz (0.4 liter) Grease Gun Tube	•CF, SF, TSSF, DSCF Gearboxes	035962	\$5	1	0.5
Bulk Gun Grease with Moly	35-lb (15.88 kg) pail	Bulk Feed Grease Guns	035963	\$115	35	16
85W-140 Gear Lube	1-quart (0.95 liter) Squeeze Bottle	•CMF Gearboxes, All NECO	035960	\$8	3	1.5
85W-140 Gear Lube	2½-gallon (9.464 liters) jug	Gearboxes	035961	\$57	20	9

Paint Products

Paint	Color	Part Number	Net Price
Can of Spray Paint	NECO Blue	035451	\$11.00
Gallon of Paint (3.785 liters)	NECO Blue	002013	\$56.00

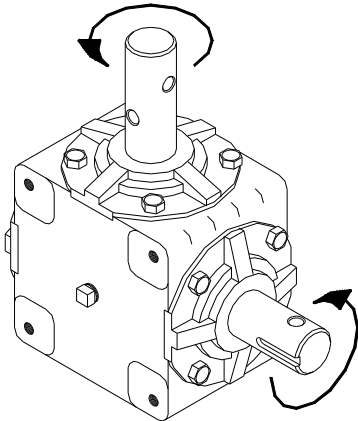
SNOWCO

PTO Transport Auger Replacement gearboxes

Manufactured by



New Gearbox
(not rebuilt)

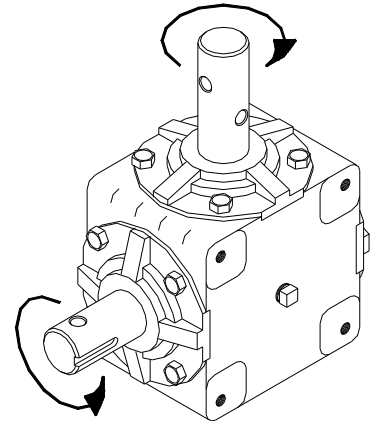


Left-Hand Gearbox

Part Number:	020326
List Price:	\$595
Weight:	25 lb (11.35 kg)

Right-Hand Gearbox

Part Number:	036666
List Price:	\$595
Weight:	25 lb (11.35 kg)



SNOWCO Transport Auger Replacement Gearboxes (1.35:1 Ratio)



Conversion Table				
Length Conversion ' = foot or feet " = inch or inches ¼" = 0.635 cm ½" = 1.27 cm ¾" = 1.905 cm 1" = 2.54 cm 1¼" = 3.175 cm 1½" = 3.81 cm 1¾" = 4.445 cm 2" = 5.08 cm 3" = 7.62 cm 3.2" = 8.128 cm 4" = 10.16 cm 5" = 12.7 cm 6" = 15.24 cm 7" = 17.78 cm 7½" = 19.05 cm 8" = 20.32 cm 9" = 22.86 cm 10" = 25.40 cm 11" = 27.94 cm 12" = 30.48 cm 13" = 33.02 cm 14" = 35.56 cm 15" = 38.10 cm 16" = 40.64 cm 18" = 45.72 cm 18.4" = 46.74 cm 20" = 50.8 cm 22" = 55.88 cm 24" = 60.96 cm 27" = 68.58 cm 28" = 71.12 cm 30" = 76.2 cm 30½" = 77.47 cm 32" = 81.28 cm 33" = 83.82 cm 36" = 91.44 cm 43" = 109.2 cm 52" = 132.1 cm 63" = 160 cm	1' = 0.3048 meters 2' = 0.6096 meters 3' = 0.9144 meters 4' = 1.219 meters 4'8" = 1.422 meters 5' = 1.524 meters 6' = 1.829 meters 7' = 2.134 meters 7'6" = 2.286 meters 8' = 2.438 meters 9' = 2.743 meters 10' = 3.048 meters 11' = 3.353 meters 12' = 3.658 meters 13' = 3.962 meters 14' = 4.267 meters 15' = 4.572 meters 16' = 4.877 meters 17' = 5.182 meters 18' = 5.486 meters 19' = 5.791 meters 20' = 6.096 meters 21' = 6.401 meters 22' = 6.706 meters 23' = 7.01 meters 24' = 7.315 meters 25' = 7.62 meters 26' = 7.925 meters 27' = 8.23 meters 28' = 8.534 meters 29' = 8.839 meters 30' = 9.144 meters 31' = 9.449 meters 32' = 9.754 meters 33' = 10.06 meters 34' = 10.36 meters 35' = 10.67 meters 36' = 10.97 meters 37' = 11.28 meters 38' = 11.58 meters 39' = 11.89 meters	40' = 12.19 meters 41' = 12.5 meters 42' = 12.8 meters 43' = 13.11 meters 44' = 13.41 meters 45' = 13.72 meters 46' = 14.02 meters 47' = 14.33 meters 48' = 14.63 meters 49' = 14.94 meters 50' = 15.24 meters 51' = 15.54 meters 52' = 15.85 meters 53' = 16.15 meters 54' = 16.46 meters 55' = 16.76 meters 56' = 17.07 meters 57' = 17.37 meters 58' = 17.68 meters 59' = 17.98 meters 60' = 18.29 meters 61' = 18.59 meters 62' = 18.9 meters 63' = 19.2 meters 64' = 19.51 meters 65' = 19.81 meters 66' = 20.12 meters 67' = 20.42 meters 68' = 20.73 meters 69' = 21.03 meters 70' = 21.34 meters 71' = 21.64 meters 72' = 21.95 meters 73' = 22.25 meters 74' = 22.56 meters 75' = 22.86 meters 76' = 23.16 meters 77' = 23.47 meters 78' = 23.77 meters 79' = 24.08 meters	80' = 24.38 meters 81' = 24.69 meters 82' = 24.99 meters 83' = 25.3 meters 84' = 25.6 meters 85' = 25.91 meters 86' = 26.21 meters 87' = 26.52 meters 88' = 26.82 meters 89' = 27.13 meters 90' = 27.43 meters 91' = 27.74 meters 92' = 28.04 meters 93' = 28.25 meters 94' = 28.65 meters 95' = 28.96 meters 96' = 29.26 meters 97' = 29.57 meters 98' = 29.87 meters 99' = 30.18 meters 100' = 30.48 meters 101' = 30.78 meters 102' = 31.09 meters 103' = 31.39 meters 104' = 31.7 meters 105' = 32 meters 106' = 32.31 meters 107' = 32.61 meters 108' = 32.92 meters 109' = 33.22 meters 110' = 33.53 meters 111' = 33.83 meters 112' = 34.14 meters 113' = 34.44 meters 114' = 34.75 meters 115' = 35.05 meters 116' = 35.36 meters 117' = 35.66 meters 118' = 35.97 meters 119' = 36.27 meters	120' = 36.58 meters 121' = 36.88 meters 122' = 37.19 meters 123' = 37.49 meters 124' = 37.8 meters 125' = 38.1 meters 126' = 38.4 meters 127' = 38.71 meters 128' = 39.01 meters 129' = 39.32 meters Power Conversion hp kW 0.25 = 0.1861 0.5 = 0.3728 0.75 = 0.5593 1 = 0.7456 1.5 = 1.1185 2 = 1.4913 2.5 = 1.8642 2.65 = 1.976 3 = 2.2370 5 = 3.7284 7 = 5.2198 7½ = 5.5927 10 = 7.4569 15 = 11.1854 20 = 14.9139 30 = 22.37 40 = 29.83 50 = 37.28 60 = 44.74

Conversion Factors			
Abbreviations ' = foot or feet " = inch or inches lb = pound kg = kilogram cm = centimeter m = meter hp = horsepower kW = kilowatt hz = hertz	Distance and Length centimeter x 0.394 = inches centimeter x 0.03281 = feet meter x 3.281 = feet inches x 2.540 = centimeters feet x 30.48 = centimeters feet x 0.3049 = meters	Weight and Mass pounds x 0.454 = kilogram kilogram x 2.205 = pounds	Power horsepower x 0.746 = kilowatts kilowatts x 1.34 = horsepower