



- SUGGESTED LIST PRICES -



## Centrifugal Fans Galvanized 50 Hz, 2900 RPM 220/380/440 Voltage

### Product Features

- Housing is constructed of G-90 galvanized steel.
- Vibration-proof, bolted design eliminates welded seams.
- Lifting hooks are included for ease of installation.
- Adjustable leveling legs are standard.
- Fan wheels are constructed with dynamically-balanced, airfoil blades (except on 50hp (37.3 kW) models which have backward-inclined flat blades).

| Fan Diameter | Power<br>hp kW |      | Phase | Weight<br>lb kg |     | Without<br>Motor Starters |            | With<br>Motor Starters* |            | Shutter<br>Assembly** |
|--------------|----------------|------|-------|-----------------|-----|---------------------------|------------|-------------------------|------------|-----------------------|
|              |                |      |       |                 |     | Part Number               | List Price | Part Number             | List Price |                       |
| 18" (0.46m)  | 3              | 2.24 | 3     | 329             | 149 | HSCB1803335               | \$2,161    | HSCS1803335             | \$2,432    | 043777                |
| 18" (0.46m)  | 5              | 3.73 | 3     | 349             | 158 | HSCB1805335               | \$2,090    | HSCS1805335             | \$2,522    | 043777                |
| 22" (0.56m)  | 7½             | 5.6  | 3     | 450             | 204 | HSCB2275335               | \$2,870    | HSCS2275335             | \$3,308    | 043702                |
| 22" (0.56m)  | 10             | 7.6  | 3     | 460             | 209 | HSCB2210335               | \$2,871    | HSCS2210335             | \$3,307    | 043702                |
| 22" (0.56m)  | 15             | 11.2 | 3     | 502             | 228 | HSCB2215335               | \$3,660    | HSCS2215335             | \$4,093    | 043702                |
| 22" (0.56m)  | 20             | 14.9 | 3     | 582             | 264 | HSCB2220335               | \$4,051    | HSCS2220335             | \$4,484    | 043702                |
| 22" (0.56m)  | 25             | 18.6 | 3     | 611             | 277 | HSCB2225335               | \$5,259    | HSCS2225335             | \$6,136    | 043702                |
| 24" (0.61m)  | 30             | 22.3 | 3     | 791             | 359 | HSCB2430335               | \$5,594    | HSCS2430335             | \$6,470    | 043791                |
| 24" (0.61m)  | 40             | 28.8 | 3     | 895             | 406 | HSCB2440335               | \$7,741    | HSCS2440335             | \$8,421    | 043791                |
| 24" (0.61m)  | 50             | 37.3 | 3     | 984             | 446 | HSCB2450335               | \$9,083    | HSCS2450335             | \$9,803    | 043791                |

\*These motors are 380 volt, full-voltage, across-the-line starters. If Wye-start Delta-Run starters are required, please call the NECO factory. Starters are also available in 220 and 440 volt, 50 Hz. Please call the factory.

\*\* Fan shutters prevent the backflow of air when starting multiple fans indendently.

All 50-Hz high-speed centrifugal fans use the 043324 welded transition (see page F-17).

If the Bolted Transition is required, please order the Bolted Transition (part number 040792).

With the Bolted Transition you must also order the appropriate adapter plate.

- For 3-5 hp models order: None required
- For 7½ -25 hp models order: Part number 081159
- For 30-50 hp models order: Part number 081160

Note: If higher horsepower is required, please call the factory.

MANUFACTURED BY





- SUGGESTED LIST PRICES -



## Centrifugal Fans

### Galvanized 50 Hz, 1450 RPM

### 220/380/440 Voltage

#### Product Features

- Housing is constructed of G-90 galvanized steel.
- Vibration-proof bolted design eliminates welded seams.
- Lifting hooks are included for ease of installation.
- Adjustable leveling legs are standard.
- Fan wheels are constructed with dynamically-balanced, continuously-welded airfoil blades (except on 50 hp models which have backward-inclined flat blades).

| Fan Diameter | Power<br>hp kW |      | Phase | Weight<br>lb kg |     | Without Motor Starters |            | With Motor Starters* |            | Shutter Assembly** |
|--------------|----------------|------|-------|-----------------|-----|------------------------|------------|----------------------|------------|--------------------|
|              |                |      |       |                 |     | Part Number            | List Price | Part Number          | List Price |                    |
| 27" (0.69M)  | 3              | 2.2  | 3     | 353             | 160 | 04CHA033-50            | \$2,643    | 04CHS033-50          | \$2,953    | 043779             |
| 27" (0.69M)  | 5              | 3.7  | 3     | 366             | 166 | 04CHA053-50            | \$2,763    | 04CHS053-50          | \$3,114    | 043780             |
| 33" (0.84M)  | 7½             | 5.6  | 3     | 730             | 331 | 04CHA 753-50           | \$2,884    | 04CHS753-50          | \$3,235    | 043780             |
| 33" (0.84M)  | 10             | 7.5  | 3     | 776             | 352 | 04CHA103-50            | \$3,677    | 04CHS103-50          | \$3,979    | 043780             |
| 33" (0.84M)  | 15             | 11.2 | 3     | 855             | 388 | 04CHA153-50            | \$4,224    | 04CHS153-50          | \$4,625    | 043780             |
| 33" (0.84M)  | 20             | 14.9 | 3     | 906             | 411 | 04CHA203-50            | \$4,552    | 04CHS203-50          | \$4,931    | 043780             |
| 33" (0.84M)  | 25             | 18.6 | 3     | 1,019           | 462 | 04CHA253-50            | \$4,444    | 04CHS253-50          | \$5,259    | 043780             |
| 33" (0.84M)  | 30             | 22.4 | 3     | 1,043           | 473 | 04CHA303-50            | \$5,211    | 04CHS303-50          | \$6,026    | 043780             |
| 36" (0.91M)  | 40             | 29.8 | 3     | 1,488           | 675 | 04CHA403-50            | \$7,003    | 04CHS403-50          | \$7,918    | 043781             |
| 36" (0.91M)  | 50             | 37.3 | 3     | 1,541           | 699 | 04CHA503-50            | \$7,784    | 04CHS503-50          | \$8,699    | 043781             |

\* These are 380 volt, full-voltage, across-the-line starters. If Wye-start Delta-Run starters are required, please call the factory. Starters are also available in 220 and 440 volt, 50 hertz. Please call the factory.

\*\* Fan shutters prevent the backflow of air when starting multiple fans indendently.

| Centrifugal Fan Performance (cubic meters per hour) |      |                            |       |       |       |       |       |       |       |       |       |
|---|------|----------------------------|-------|-------|-------|-------|-------|-------|-------|-------|-------|
| hp  | kW   | Static Pressure (mm water) |       |       |       |       |       |       |       |       |       |
|   |      | 25                         | 50    | 75    | 100   | 125   | 150   | 175   | 200   | 225   | 250   |
| 7½  | 5.6  | 13688                      | 13262 | 12837 | 12242 | 11562 | 10542 | 9097  | 5101  | -     | -     |
| 10  | 7.5  | 18363                      | 17726 | 17173 | 16366 | 15473 | 14198 | 12242 | 8077  | -     | -     |
| 15  | 11.2 | 27545                      | 26695 | 25845 | 24655 | 23294 | 21254 | 18363 | 12072 | -     | -     |
| 20  | 14.9 | 36557                      | 35367 | 34176 | 32646 | 30606 | 28055 | 24144 | 13943 | -     | -     |
| 25  | 18.6 | 47779                      | 46419 | 44888 | 42848 | 40297 | 36727 | 31796 | 18023 | -     | -     |
| 30  | 22.4 | 52710                      | 51180 | 49309 | 47609 | 44548 | 40808 | 34856 | 20064 | -     | -     |
| 40  | 29.8 | 63082                      | 60871 | 58491 | 56110 | 53560 | 51009 | 47949 | 44208 | 39107 | -     |
| 50  | 37.3 | 64612                      | 62572 | 60361 | 58321 | 56110 | 53560 | 51009 | 47609 | 43018 | 35707 |

MANUFACTURED BY





- SUGGESTED LIST PRICES -



## Downstream Heaters

50 Hz 120V  
(For 7½ hp - 50 hp  
1450 RPM Centrifugal Fans)

### DOWNSTREAM HEATERS Feature

- Externally-adjustable air vanes optimize heat distribution.
- Constructed of bolted, vibration-proof, G-90 galvanized steel.
- Super-efficient burner design provides 4 Million BTU (maximum) output.
- Large, easy-open door optimizes accessibility.
- A sealed microprocessor-controlled ignition module with 14,000-volt Honeywell spark generator is included.
- A heavy-duty flame probe and ignitor are included.
- A diaphragm-type air proving switch is included.
- Housing is equipped with two viewports.
- An easily-adjustable vaporizer on LP units provides maximum operating efficiency.
- Many safety features are built-in to shut down the burner if a malfunction occurs.

| Downstream Heater Model              | Temperature      | Part Number   | Weight |    | List Price |
|--------------------------------------|------------------|---------------|--------|----|------------|
|                                      |                  |               | lb     | kg |            |
| 7½ - 30 hp Heater LPG with Vaporizer | On-Off Cycling   | 04DSH2LPH-CE  | 141    | 64 | \$2,955    |
| 7½ - 30 hp Heater LPG with Vaporizer | High-Low         | 04DSH2LPHL-CE | 146    | 66 | \$3,461    |
| 7½ - 30 hp Heater LPG with Vaporizer | Modulating Valve | 04DSH2LPM-CE  | 146    | 66 | \$3,513    |
| 7½ - 30 hp Heater Natural Gas        | On-Off Cycling   | 04DSH2NGH-CE  | 130    | 59 | \$2,585    |
| 7½ - 30 hp Heater Natural Gas        | High-Low         | 04DSH2NGHL-CE | 135    | 61 | \$3,149    |
| 7½ - 30 hp Heater Natural Gas        | Modulating Valve | 04DSH2NGM-CE  | 135    | 61 | \$3,064    |
| 40 - 50 hp Heater LPG with Vaporizer | On-Off Cycling   | 04DSH3LPH-CE  | 162    | 73 | \$3,128    |
| 40 - 50 hp Heater LPG with Vaporizer | High-Low         | 04DSH3LPHL-CE | 167    | 76 | \$3,590    |
| 40 - 50 hp Heater LPG with Vaporizer | Modulating Valve | 04DSH3LPM-CE  | 167    | 76 | \$3,642    |
| 40 - 50 hp Heater Natural Gas        | On-Off Cycling   | 04DSH3NGH-CE  | 151    | 68 | \$2,713    |
| 40 - 50 hp Heater Natural Gas        | High-Low         | 04DSH3NGHL-CE | 156    | 71 | \$3,277    |
| 40 - 50 hp Heater Natural Gas        | Modulating Valve | 04DSH3NGM-CE  | 156    | 71 | \$3,191    |

NOTE: An optional Thermostat Kit (Fahrenheit only) is available. The Part Number of this kit is 040826. The List Price is \$185.

MANUFACTURED BY





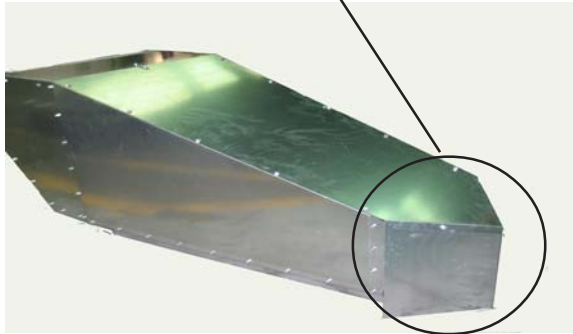
- SUGGESTED LIST PRICES -



## Power Roof Exhausters



Peaked to prevent trash build-up!



Includes: Totally-enclosed 1450rpm motor, fan blade, peaked to prevent trash build-up, galvanized bolt together construction.

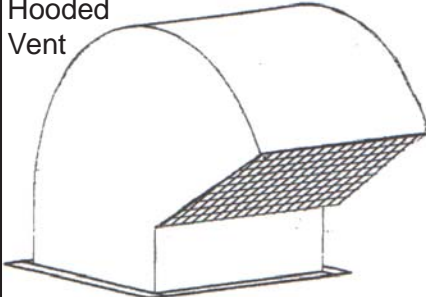
| Description                      | Part Number | List Price |
|----------------------------------|-------------|------------|
| 2 hp 24" 1-Phase                 | 04RE4201    | \$1,650    |
| 2 hp 24" 3-Phase                 | 04RE4203    | \$1,650    |
| 2 hp 24" 1-Phase Explosion-proof | 04RE4201x   | \$2,995    |
| 2 hp 24" 3-Phase Explosion-proof | 04RE4203x   | \$1,700    |

## GRAIN BIN ROOF VENTS

- 26-gauge Galvanized Construction
- 20-gauge Galvanized Base Frame
- Fabricated with Leak Proof Lock Seam Joints
- <sup>3</sup>/<sub>8</sub>" Mounting Holes
- 70° Construction Allows for Weather Protection & Unobstructed Airflow
- No Hatches to Remember to Open or Close
- Galvanized Bird Screen with 1/2" Square Openings
- Large 15" x 15" Opening Can Efficiently Handle Up to 1000 CFM of Airflow


- 26-gauge Galvanized Construction
- 20-gauge Galvanized Base Frame
- Fabricated with Leak-Proof Lock Seam Joints
- <sup>3</sup>/<sub>8</sub>" Mounting Holes
- 70° Construction Allows for Weather Protection & Unobstructed Airflow
- No Hatches to Remember to Open or Close
- Galvanized Bird Screen with 1/2" Square Openings
- Large 15" x 15" Opening Can Efficiently Handle Up to 1000 CFM of Airflow
- Peaked to prevent trash build-up behind vent (see photo)

**Hooded Vent**



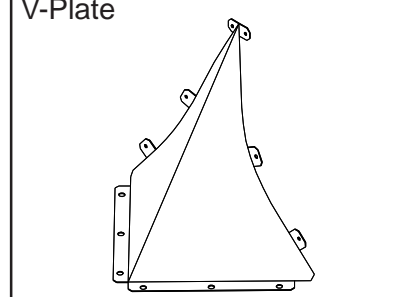
|                           |                  |
|---------------------------|------------------|
| <b>Part Number 036825</b> | <b>List \$83</b> |
|---------------------------|------------------|

**Hooded Vent with V-Plate**



|                           |                   |
|---------------------------|-------------------|
| <b>Part Number 082741</b> | <b>List \$129</b> |
|---------------------------|-------------------|

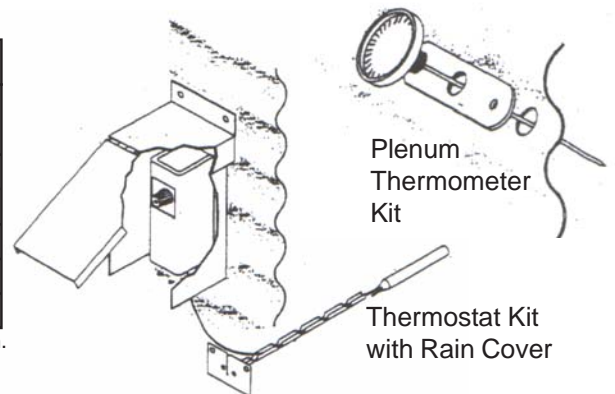
**V-Plate**



|                           |                  |
|---------------------------|------------------|
| <b>Part Number 082740</b> | <b>List \$11</b> |
|---------------------------|------------------|

| <b>Additional Fan Accessories</b> |             |            |
|-----------------------------------|-------------|------------|
| Description                       | Part Number | List Price |
| Plenum Thermometer Kit            | 010106      | \$94       |
| Static Pressure Gauge             | 043549      | \$421      |
| Thermostat Kit with Rain Cover    | 040826      | \$250      |
| Dual Burner Control Kit           | 043550      | \$463      |
| Air Switch Kit                    | 043395      | \$339      |

Note: The Air Switch Kit is required when using a heater with an engine-driven fan.

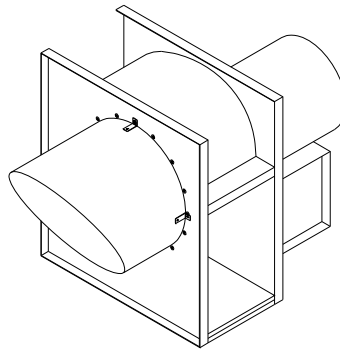




- SUGGESTED LIST PRICES -

### Fan Shutters

Fan shutters prevent the back flow of air when starting multiple fans.



### Centrifugal Fan Rain Hoods

| Centrifugal Fan Size | Revolutions per minute | Power   |               | Rain Hood Part Number | Rain Hood List Price |
|----------------------|------------------------|---------|---------------|-----------------------|----------------------|
|                      |                        | hp      | kW            |                       |                      |
| 18"                  | 2900                   | 3 - 5   | 2.2370-3.7284 | 081203                | \$107                |
| 22"                  | 2900                   | 7½- 25  | 5.5927-18.64  | 081204                | \$115                |
| 24"                  | 2900                   | 30 - 50 | 22.37-37.28   | 043977                | \$118                |
| 27"                  | 1450                   | 3       | 2.2370        | 081140                | \$173                |
| 30" & 33"            | 1450                   | 5-30    | 3.7284-22.37  | 081201                | \$134                |
| 36"                  | 1450                   | 40-50   | 29.83-37.28   | 081202                | \$139                |

| <b>Adapter Plates for NECO</b>                                   |                          |         |                     |
|--|--------------------------|---------|---------------------|
|  |                          |         |                     |
| <b>50 Hz 1450rpm Centrifugal Large Diameter Wheel Fan HP(kW)</b> | <b>Bolted Transition</b> |         | <b>Transition A</b> |
| 3 (2.2)  | 040792H                  | \$718   | 081142              |
| 5 (3.7)  | 040793H                  | \$1,142 | 081143              |
| 7.5 (5.6)  | 081141H                  | \$1,687 | 081144              |
| 10 (7.5)   | 081141H                  | \$1,687 | 081145              |
| 15 (11.2)  | 081141H                  | \$1,687 | 081146              |
| 20 (14.9)  | 081141H                  | \$1,687 | 081147              |
| 25 (18.7)  | 081141H                  | \$1,687 | 081148              |
| 30 (22.4)  | 081141H                  | \$1,687 | 081149              |
| 40 (29.8)  | 081141H                  | \$1,687 | 081150              |
| 50 (37.3)  | 081141H                  | \$1,687 | 081151              |
| 60 (44.8)  | 081141H                  | \$1,687 | Not Required        |
|  |                          |         |                     |
|  |                          |         |                     |
| <b>50 Hz 2900rpm Centrifugal Fan HP (kW)</b>                     | <b>Bolted Transition</b> |         | <b>Transition A</b> |
| 3 (2.2)  | 040765                   | \$214   | Not Required        |
| 5 (3.7)  | 040765                   | \$214   | Not Required        |
| 7.5 (5.6)  | 040792H                  | \$718   | 081159              |
| 10 (7.5)   | 040792H                  | \$718   | 081159              |
| 15 (11.2)  | 040792H                  | \$718   | 081159              |
| 20 (14.9)  | 040792H                  | \$718   | 081159              |
| 25 (18.7)  | 040792H                  | \$718   | 081159              |
| F-6 30 (22.4)  | 040792H                  | \$718   | 081160              |
| 40 (29.8)  | 040792H                  | \$718   | 081160              |
| 50 (37.3)  | 040792H                  | \$718   | 081160              |



| Conversion Table   |   |  |  |   |
|--|---|--|--|---|
| <b>Length Conversion</b><br>' = foot or feet<br>" = inch or inches<br><br>¼" = 0.635 cm<br>½" = 1.27 cm<br>¾" = 1.905 cm<br>1" = 2.54 cm<br>1¼" = 3.175 cm<br>1½" = 3.81 cm<br>1¾" = 4.445 cm<br>2" = 5.08 cm<br>3" = 7.62 cm<br>3.2" = 8.128 cm<br>4" = 10.16 cm<br>5" = 12.7 cm<br>6" = 15.24 cm<br>7" = 17.78 cm<br>7½" = 19.05 cm<br>8" = 20.32 cm<br>9" = 22.86 cm<br><br>10" = 25.40 cm<br>11" = 27.94 cm<br>12" = 30.48 cm<br>13" = 33.02 cm<br>14" = 35.56 cm<br>15" = 38.10 cm<br>16" = 40.64 cm<br>18" = 45.72 cm<br>18.4" = 46.74 cm<br><br>20" = 50.8 cm<br>22" = 55.88 cm<br>24" = 60.96 cm<br>27" = 68.58 cm<br>28" = 71.12 cm<br>30" = 76.2 cm<br>30½" = 77.47 cm<br>32" = 81.28 cm<br>33" = 83.82 cm<br>36" = 91.44 cm<br>43" = 109.2 cm<br>52" = 132.1 cm<br>63" = 160 cm | 1' = 0.3048 meters<br>2' = 0.6096 meters<br>3' = 0.9144 meters<br>4' = 1.219 meters<br>4'8" = 1.422 meters<br>5' = 1.524 meters<br>6' = 1.829 meters<br>7' = 2.134 meters<br>7'6" = 2.286 meters<br>8' = 2.438 meters<br>9' = 2.743 meters<br><br>10' = 3.048 meters<br>11' = 3.353 meters<br>12' = 3.658 meters<br>13' = 3.962 meters<br>14' = 4.267 meters<br>15' = 4.572 meters<br>16' = 4.877 meters<br>17' = 5.182 meters<br>18' = 5.486 meters<br>19' = 5.791 meters<br><br>20' = 6.096 meters<br>21' = 6.401 meters<br>22' = 6.706 meters<br>23' = 7.01 meters<br>24' = 7.315 meters<br>25' = 7.62 meters<br>26' = 7.925 meters<br>27' = 8.23 meters<br>28' = 8.534 meters<br>29' = 8.839 meters<br><br>30' = 9.144 meters<br>31' = 9.449 meters<br>32' = 9.754 meters<br>33' = 10.06 meters<br>34' = 10.36 meters<br>35' = 10.67 meters<br>36' = 10.97 meters<br>37' = 11.28 meters<br>38' = 11.58 meters<br>39' = 11.89 meters | 40' = 12.19 meters<br>41' = 12.5 meters<br>42' = 12.8 meters<br>43' = 13.11 meters<br>44' = 13.41 meters<br>45' = 13.72 meters<br>46' = 14.02 meters<br>47' = 14.33 meters<br>48' = 14.63 meters<br>49' = 14.94 meters<br><br>50' = 15.24 meters<br>51' = 15.54 meters<br>52' = 15.85 meters<br>53' = 16.15 meters<br>54' = 16.46 meters<br>55' = 16.76 meters<br>56' = 17.07 meters<br>57' = 17.37 meters<br>58' = 17.68 meters<br>59' = 17.98 meters<br><br>60' = 18.29 meters<br>61' = 18.59 meters<br>62' = 18.9 meters<br>63' = 19.2 meters<br>64' = 19.51 meters<br>65' = 19.81 meters<br>66' = 20.12 meters<br>67' = 20.42 meters<br>68' = 20.73 meters<br>69' = 21.03 meters<br><br>70' = 21.34 meters<br>71' = 21.64 meters<br>72' = 21.95 meters<br>73' = 22.25 meters<br>74' = 22.56 meters<br>75' = 22.86 meters<br>76' = 23.16 meters<br>77' = 23.47 meters<br>78' = 23.77 meters<br>79' = 24.08 meters | 80' = 24.38 meters<br>81' = 24.69 meters<br>82' = 24.99 meters<br>83' = 25.3 meters<br>84' = 25.6 meters<br>85' = 25.91 meters<br>86' = 26.21 meters<br>87' = 26.52 meters<br>88' = 26.82 meters<br>89' = 27.13 meters<br><br>90' = 27.43 meters<br>91' = 27.74 meters<br>92' = 28.04 meters<br>93' = 28.25 meters<br>94' = 28.65 meters<br>95' = 28.96 meters<br>96' = 29.26 meters<br>97' = 29.57 meters<br>98' = 29.87 meters<br>99' = 30.18 meters<br>100' = 30.48 meters<br><br>101' = 30.78 meters<br>102' = 31.09 meters<br>103' = 31.39 meters<br>104' = 31.7 meters<br>105' = 32 meters<br>106' = 32.31 meters<br>107' = 32.61 meters<br>108' = 32.92 meters<br>109' = 33.22 meters<br>110' = 33.53 meters<br><br>111' = 33.83 meters<br>112' = 34.14 meters<br>113' = 34.44 meters<br>114' = 34.75 meters<br>115' = 35.05 meters<br>116' = 35.36 meters<br>117' = 35.66 meters<br>118' = 35.97 meters<br>119' = 36.27 meters | 120' = 36.58 meters<br>121' = 36.88 meters<br>122' = 37.19 meters<br>123' = 37.49 meters<br>124' = 37.8 meters<br>125' = 38.1 meters<br>126' = 38.4 meters<br>127' = 38.71 meters<br>128' = 39.01 meters<br>129' = 39.32 meters |
|  |   |  |  |   |

| Conversion Factors  |  |  |   |
|---|--|--|---|
| <b>Abbreviations</b><br><br>' = foot or feet<br>" = inch or inches<br><br>lb = pound<br>kg = kilogram<br><br>cm = centimeter<br>m = meter<br><br>hp = horsepower<br>kW = kilowatt<br>hz = hertz | <b>Distance and Length</b><br><br>centimeter x 0.394 = inches<br>centimeter x 0.03281 = feet<br>meter x 3.281 = feet<br><br>inches x 2.540 = centimeters<br>feet x 30.48 = centimeters<br>feet x 0.3049 = meters | <b>Weight and Mass</b><br><br>pounds x 0.454 = kilogram<br><br>kilogram x 2.205 = pounds | <b>Power</b><br><br>horsepower x 0.746 = kilowatts<br><br>kilowatts x 1.34 = horsepower |



FANS, HEATERS, AND TRANSITIONS

Effective 01/11/2008

- SUGGESTED LIST PRICES -



Division of GLOBAL Industries, Inc.  
9364 North 45th Street  
Omaha, Nebraska 68112