



NECO Single-Phase & Three-Phase 60-Hz Electric Motors

Power		Phase	Voltage	RPM	Shaft Diameter		Frame	Full Load Amp 230 Volt	Baldor Motors NECO Part Number	List Price	Leeson Motors NECO Part Number	List Price
hp	kW				inches	cm						
1/2	0.373	1	115/208-230	1725	5/8	1.587	D56	4.4	FDL3504M		110086	
3/4	0.560	1	115/208-230	1725	5/8	1.587	E56	5.4	FDL3507M		110087	
1	0.746	1	115/208-230	1725	5/8	1.587	F56	7	FDL3510M		110088	
1 1/2	1.119	1	115/230	1725	5/8	1.587	H56H	8.6	FLD3514M		110089	
2	1.491	1	230	1725	7/8	2.222	J56H2	9.2	FDL3516TM		110090	
2	1.491	1	115/208-230	1740	1 1/8	2.857	E182T	12.4	FDL3611TM		130042	
3	2.237	1	230	1740	1 1/8	2.857	G184T	19	FDL3610TM		130043	
5	3.728	1	230	1740	1 1/8	2.857	J184T	23	FDL3612TM		130044	
5	3.728	1	230	1740	1 3/8	3.492	K215T	28.4	FDL3731M		140203	
7 1/2	5.593	1	230	1740	1 3/8	3.492	K215T	33.6	FDL3733TM		140130	
10	7.457	1	230	1740	1 3/8	3.492	K215T	40	FDL3737TM		140414	
1/2	0.373	3	208-230/460	1725	5/8	1.587	56	2	M3538		110032	
3/4	0.559	3	208-230/460	1725	5/8	1.587	56	2.8	M3542		110034	
1	0.746	3	208-230/460	1725	5/8	1.587	56	3.4	M3546		110035	
1 1/2	1.119	3	208-230/460	1725	5/8	1.587	56	4.6	M3554		110444	
2	1.491	3	208-230/460	1740	7/8	2.222	145T	6.2	M3558T		120016	
3	2.237	3	208-230/460	1740	1 1/8	2.857	182T	8.8	M3611T		130008	
5	3.728	3	208-230/460	1740	1 1/8	2.857	184T	13.4	M3615T		130027	
7 1/2	5.593	3	208-230/460	1750	1 3/8	3.492	213T	18.4	M3770T		150157	
10	7.457	3	208-230/460	1750	1 3/8	3.492	215T	24	M3774T		150140	
15	11.185	3	208-230/460	1750	1 5/8	4.127	254T	37	M2333T		150066	
20	14.914	3	208-230/460	1750	1 5/8	4.127	256T	48	M2334T		150007	
25	18.64	3	208-230/460	1750	1 7/8	4.762	284T	62	M4103T		150011	
30	22.37	3	208-230/460	1750	1 7/8	4.762	286T	74	M4104T		150015	
40	29.83	3	208-230/460	1750	2 1/8	5.397	324T	94	M4110T		150019	
50	37.28	3	208-230/460	1750	2 1/8	5.397	326T	116	M4115T		150023	
60	44.74	3	208-230/460	1750	2 3/8	6.032	364T	142	M4314T		150027	

NOTE: Motors CANNOT be returned to NECO for warranty repair or replacement. All motor warranty service is to be done by an authorized Baldor or Lesson service center. A list of authorized service centers will be supplied upon request.

Manufactured by



Division of GLOBAL Industries, Inc.
9364 North 45th Street
Omaha, Nebraska 68152
TEL; 800-367-6208
FAX: 402-453-0471
Web: www.necousa.com



Motor Pulleys List Prices

Outside Diameter (OD)		Number of Grooves	Bore Section		Belt Section	Part Number	List Price	Weight	
inches	cm		inches	cm				lb	kg
2.8	7.112	1	7/8	2.222	A	036212		1	0.454
2.8	7.112	1	1 1/8	2.857	A	036581		1	0.454
3.2	8.128	1	5/8	1.587	A-B	036580		1.5	0.680
3.2	8.128	1	7/8	2.222	B	035730		1.5	0.680
3.2	8.128	1	1 1/8	2.857	B	035732		1.5	0.680
3.2	8.128	2	1 1/8	2.857	A-B	035733		2	0.907
3.2	8.128	2	1 3/8	3.492	B	035735		2	0.907
3.2	8.128	3	1 1/8	2.857	B	035734		2.5	1.134
3.2	8.128	3	1 3/8	3.492	A-B	035736		2.5	1.134
4.0	10.16	1	7/8	2.222	B	036170		2.5	1.134
4.0	10.16	1	1 1/8	2.857	B	035738		2.5	1.134
4.0	10.16	2	1 1/8	2.857	A-B	035739		3.5	1.588
4.0	10.16	2	1 3/8	3.492	B	035741		3.5	1.588
4.0	10.16	3	1 3/8	3.492	B	035274		5	2.268
4.0	10.16	3	1 5/8	4.127	B	036785		5	2.268
5.0	12.7	1	1 1/8	2.857	B	035746		3	1.361
5.0	12.7	2	1 1/8	2.857	B	035747		4.5	2.041
5.0	12.7	2	1 3/8	3.492	A-B	035748		4.5	2.041
5.0	12.7	2	1 5/8	4.127	A-B	035901		4.5	2.041
6.0	15.24	1	7/8	2.222	A-B	036122		4	1.814

Manufactured by

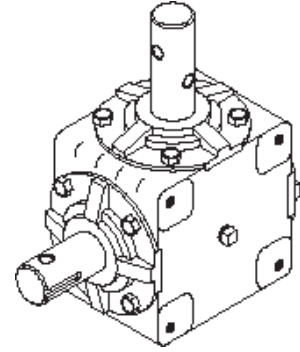


Division of GLOBAL Industries, Inc.
9364 North 45th Street
Omaha, Nebraska 68152



MADE IN THE U.S.A.

Two-Year Limited Gearbox Warranty*



**NECO is proud to offer you our top-quality,
USA-manufactured gearboxes—backed by a
limited two-year warranty!**

NECO Gearboxes purchased either with new equipment or as a replacement part and installed after January 1, 2002, will be covered by terms of this limited warranty.

NECO will replace or recondition, at our discretion, any gearbox found to be defective during the first two years after installation.

NECO Gearbox Warranty Terms

- All gearboxes must be accompanied by a Return Goods Authority (RGA) issued by NECO stating the reason why the gearbox is being returned.
- To obtain an RGA you must provide an original invoice number or original NECO order number.
- You must return the original gearbox to NECO's factory in Omaha, freight prepaid.
- The replacement gearbox or repaired gearbox will be returned to you promptly, freight prepaid.
- Under no circumstances is NECO responsible for any labor costs incurred for the removal of a gearbox, nor for its subsequent reinstallation, nor for any mileage, time, or expense incurred during the process of removal and/or reinstallation.
- NECO will not warranty gearboxes found to have been abused in use, installation, or maintenance.

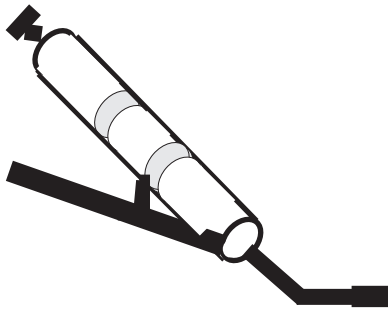
*See the list of included models on the following page.



Replacement Gearboxes

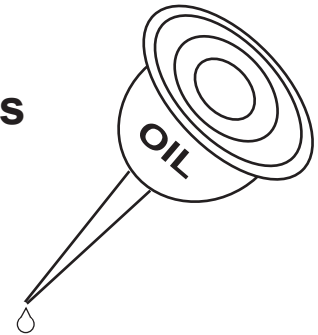
NECO Replacement Gearboxes are New (Not Rebuilt)
and include a Two-Year Warranty

Description	Old Part Number	New Part Number	List Price	Weight	
				lb	kg
Pair of Center Gearboxes for Circu-Flow with Coupler sprocket on Bottom Gearbox, Support Wheel on Top Gearbox, and Spline Connector for Center Vertical Auger	CF60	010682		90	40.82
Circu-Flow Top Gearbox Only with Support Wheel	--	010769		55	24.95
Circu-Flow Bottom Gearbox Only		010774		35	15.88
Pair of Old-Style Center Gearboxes for Super-Flow without Slinger— with Coupler Sprocket on Bottom Gearbox and Support Wheel on Top Gearbox	SF60	011137		100	45.36
Pair of New Style Center Gearboxes for Super-Flow with Slinger— with Coupler Sprocket on Bottom Gearbox and Support Wheel on Top Gearbox NOTE: This item cannot be interchanged with a gearbox without slinger	SF100	011132		100	45.36
Pair of New Style Gearboxes for Twin Sweep Super-Flow with Slinger, Coupler Sprocket, and Support Wheel	--	011259		105	47.63
Pair of Center Gearboxes for 8" [20.32cm] Dual-Sweep Circu-Flow — with Coupler Sprocket on Bottom Gearbox and Support Wheel on Top Gearbox	8DS60	012194		134	60.78
Dual- Sweep Circu-Flow Top Gearbox Only with Support Wheel	--	012216		82	37.19
Dual-Sweep Circu-Flow Bottom Gearbox Only		012217		53	24.04
Gearbox for 6" [15.24cm] Circu-Flow Outside Vertical Unloading Auger	Repl. B30	020245		22	9.98
Gearbox for Commercial-Flow with Coupler Sprocket on Bottom Gearbox and Flow Control Cone Support on Top Gearbox	CMF60	013136		205	92.99
INTEGRALS AND MODULAR POWER SWEEP GEARBOXES					
6" [15.24cm] Modular power Sweep Center Gearboxes with Internal Shifter	--	014868		65	29.48
8" [20.32cm] Modular power Sweep Center Gearboxes with Internal Shifter	--	014761		65	29.48
10"/12" [25.40cm] Modular power Sweep Center Gearboxes with Internal Shifter	--	046115		76	34.47
8" [20.32cm] Heavy-duty Modular power Sweep Center Gearboxes (54' [16.46m] and 60' [18.29m] bins)	--	014947		76	34.47
Double Gearboxes for Integral Center Hopper (6" [15.24cm] and 8" [20.32cm] for bins 15' to 35' [4.572m-10.67m])	C8 or C95	014448		44	19.96
Double Gearboxes for Integral Center Hopper (Model 80 for bins 36' [10.97m] and over)	C99	014404		60	27.22
Gearbox for Outside Vertical on 6" [15.24cm] #3 and #4 (replaces B30)	Repl. B30	020245		22	9.98
Gearbox for Outside Vertical on 8" [20.32cm] #3 and #4 (replaces B121)	B124	047183		52	23.59
Double Geabox for 8"/10" Industrial Integral Center Hopper	Z37	015254		106	48.08
PYTHON TRANSPORTS					
6" [15.24cm] Python Electric Gearbox	6GB45E	020114		53	24.04
8" [20.32cm] Python Electric Gearbox	8GB45E	020116		53	24.04
6" [15.24cm] Python PTO Gearbox	6GB45P	020115		53	24.07
8" [20.32cm] Python PTO Gearbox	8GB45P	020116		53	24.04
10" [25.40cm] Python PTO Gearbox	A10GB45	020255		70	31.75
Gearbox for 8206E or 8206P (replaces B121 & B123)	B124	047183		52	23.59
Gearbox for 6" [15.24cm] & 8" [20.23cm] Single Drive Vertical Unloading Augers	B124	047183		52	23.59
SPEED REDUCERS with Oil					
NECO Model #741 Reducer thru 7½ hp [5.593kW] With Oil	--	020136		31	14.06
NECO Model #3051 Reducer 10 thru 30 hp [7.457 kW thru 22.37 kW] With Oil	--	020155		150	68.04



Quality Lubrication Products

Keep Your NECO equipment running smoothly with quality-approved lubricants.



Lubricant Products

Lubricant Type	Container Type	Used on...	Part Number	Net Price	Weight	
					lb	kg
Gun Grease with Moly	14-oz [0.3969 kg] Grease Gun Tube	•CF, SF, TSSF, DSCF Gearboxes	035962		1	0.4536
Bulk Gun Grease with Moly	35-lb [15.88 kg] pail	Bulk Feed Grease Guns	035963		35	51.88
85W-140 Gear Lube	1-qt [0.9464 liter] Squeeze Bottle	•CMF Gearboxes, All NECO	035960		3	1.361
85W-140 Gear Lube	2½-gallon [9.464 liter] jug	Gearboxes	035961		20	9.072

Paint Products

Paint	Color	Part Number	Net Price
Can of Spray Paint	NECO Blue	035451	
Gallon of Paint	NECO Blue	002013	

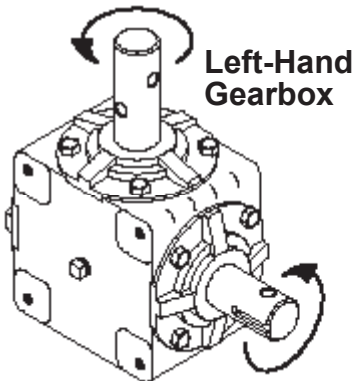
SNOWCO

PTO Transport Auger Replacement gearboxes

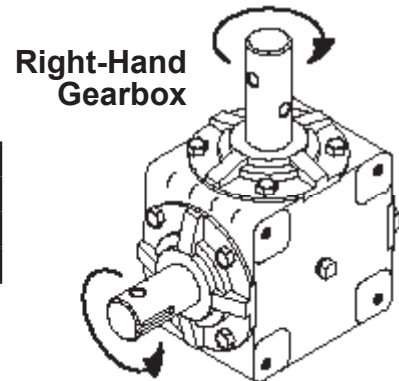
Manufactured by



New Gearbox
(not rebuilt)



Left-Hand Gearbox



Right-Hand Gearbox

Description	Part Number	List Price	Weight	
			lb	kg
Left-Hand Gearbox	020326		25	11.34
Right-Hand Gearbox	036666		25	11.34

SNOWCO Transport Auger Replacement Gearboxes (1.35:1 Ratio)



Conversion Table				
Length Conversion ' = foot or feet " = inch or inches ¼" = 0.635 cm ½" = 1.27 cm ¾" = 1.905 cm 1" = 2.54 cm 1¼" = 3.175 cm 1½" = 3.81 cm 1¾" = 4.445 cm 2" = 5.08 cm 3" = 7.62 cm 3.2" = 8.128 cm 4" = 10.16 cm 5" = 12.7 cm 6" = 15.24 cm 7" = 17.78 cm 7½" = 19.05 cm 8" = 20.32 cm 9" = 22.86 cm 10" = 25.40 cm 11" = 27.94 cm 12" = 30.48 cm 13" = 33.02 cm 14" = 35.56 cm 15" = 38.10 cm 16" = 40.64 cm 18" = 45.72 cm 18.4" = 46.74 cm 20" = 50.8 cm 22" = 55.88 cm 24" = 60.96 cm 27" = 68.58 cm 28" = 71.12 cm 30" = 76.2 cm 30½" = 77.47 cm 32" = 81.28 cm 33" = 83.82 cm 36" = 91.44 cm 43" = 109.2 cm 52" = 132.1 cm 63" = 160 cm	1' = 0.3048 meters 2' = 0.6096 meters 3' = 0.9144 meters 4' = 1.219 meters 4'8" = 1.422 meters 5' = 1.524 meters 6' = 1.829 meters 7' = 2.134 meters 7'6" = 2.286 meters 8' = 2.438 meters 9' = 2.743 meters 10' = 3.048 meters 11' = 3.353 meters 12' = 3.658 meters 13' = 3.962 meters 14' = 4.267 meters 15' = 4.572 meters 16' = 4.877 meters 17' = 5.182 meters 18' = 5.486 meters 19' = 5.791 meters 20' = 6.096 meters 21' = 6.401 meters 22' = 6.706 meters 23' = 7.01 meters 24' = 7.315 meters 25' = 7.62 meters 26' = 7.925 meters 27' = 8.23 meters 28' = 8.534 meters 29' = 8.839 meters 30' = 9.144 meters 31' = 9.449 meters 32' = 9.754 meters 33' = 10.06 meters 34' = 10.36 meters 35' = 10.67 meters 36' = 10.97 meters 37' = 11.28 meters 38' = 11.58 meters 39' = 11.89 meters	40' = 12.19 meters 41' = 12.5 meters 42' = 12.8 meters 43' = 13.11 meters 44' = 13.41 meters 45' = 13.72 meters 46' = 14.02 meters 47' = 14.33 meters 48' = 14.63 meters 49' = 14.94 meters 50' = 15.24 meters 51' = 15.54 meters 52' = 15.85 meters 53' = 16.15 meters 54' = 16.46 meters 55' = 16.76 meters 56' = 17.07 meters 57' = 17.37 meters 58' = 17.68 meters 59' = 17.98 meters 60' = 18.29 meters 61' = 18.59 meters 62' = 18.9 meters 63' = 19.2 meters 64' = 19.51 meters 65' = 19.81 meters 66' = 20.12 meters 67' = 20.42 meters 68' = 20.73 meters 69' = 21.03 meters 70' = 21.34 meters 71' = 21.64 meters 72' = 21.95 meters 73' = 22.25 meters 74' = 22.56 meters 75' = 22.86 meters 76' = 23.16 meters 77' = 23.47 meters 78' = 23.77 meters 79' = 24.08 meters	80' = 24.38 meters 81' = 24.69 meters 82' = 24.99 meters 83' = 25.3 meters 84' = 25.6 meters 85' = 25.91 meters 86' = 26.21 meters 87' = 26.52 meters 88' = 26.82 meters 89' = 27.13 meters 90' = 27.43 meters 91' = 27.74 meters 92' = 28.04 meters 93' = 28.25 meters 94' = 28.65 meters 95' = 28.96 meters 96' = 29.26 meters 97' = 29.57 meters 98' = 29.87 meters 99' = 30.18 meters 100' = 30.48 meters 101' = 30.78 meters 102' = 31.09 meters 103' = 31.39 meters 104' = 31.7 meters 105' = 32 meters 106' = 32.31 meters 107' = 32.61 meters 108' = 32.92 meters 109' = 33.22 meters 110' = 33.53 meters 111' = 33.83 meters 112' = 34.14 meters 113' = 34.44 meters 114' = 34.75 meters 115' = 35.05 meters 116' = 35.36 meters 117' = 35.66 meters 118' = 35.97 meters 119' = 36.27 meters	120' = 36.58 meters 121' = 36.88 meters 122' = 37.19 meters 123' = 37.49 meters 124' = 37.8 meters 125' = 38.1 meters 126' = 38.4 meters 127' = 38.71 meters 128' = 39.01 meters 129' = 39.32 meters Power Conversion hp kW 0.25 = 0.1861 0.5 = 0.3728 0.75 = 0.5593 1 = 0.7456 1.5 = 1.1185 2 = 1.4913 2.5 = 1.8642 2.65 = 1.976 3 = 2.2370 5 = 3.7284 7 = 5.2198 7½ = 5.5927 10 = 7.4569 15 = 11.1854 20 = 14.9139 30 = 22.37 40 = 29.83 50 = 37.28 60 = 44.74

Conversion Factors			
Abbreviations ' = foot or feet " = inch or inches lb = pound kg = kilogram cm = centimeter m = meter hp = horsepower kW = kilowatt hz = hertz	Distance and Length centimeter x 0.394 = inches centimeter x 0.03281 = feet meter x 3.281 = feet inches x 2.540 = centimeters feet x 30.48 = centimeters feet x 0.3049 = meters	Weight and Mass pounds x 0.454 = kilogram kilogram x 2.205 = pounds	Power horsepower x 0.746 = kilowatts kilowatts x 1.34 = horsepower